



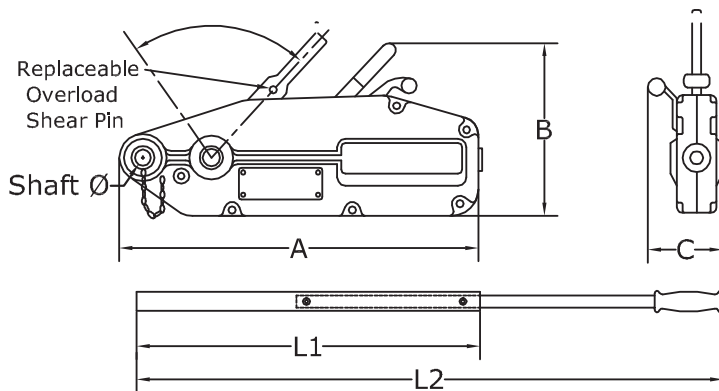
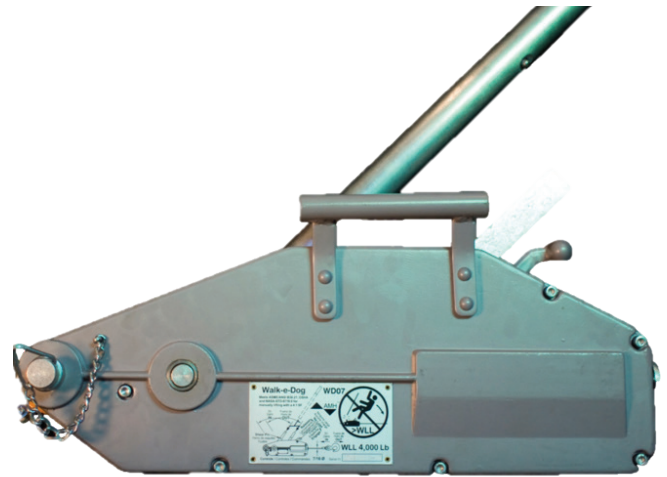
Walk-E-Dog™

Wire Rope Pulling Hoist

2000, 4000 & 8000 Lb WLL

FEATURES

- ▶ Portable lightweight aluminum construction is durable and resists corrosion.
- ▶ ANY length of commercially available 6x19S IWRC wire rope can be used for unlimited reach. (contact us for further details)
- ▶ Smooth operation with precise control.
- ▶ Telescoping handle allows the operator to optimize pull and stroke.
- ▶ Long service life and low maintenance requiring only periodic cleaning, lubrication and inspection.
- ▶ Overload protection is provided by a shear pin that is easily replaced. 4 extra shear pins are supplied in the lever grip or carrying handle compartments.
- ▶ Meets ASME/ANSI B30.21, OSHA and NASA-STD-8719.9 for manually lifting with a 4:1 SF
- ▶ ATEX rated Ex II 3 GD c IIB 54° C X for limited use in hazardous environments.
- ▶ 66 ft. wire rope may be ordered separately.



6X19S Wire Rope Assembly (Must be ordered separately)			
Part #	Size	Weight	Length
WD05RA66	5/16"	15 Lbs	66 Ft
WD07RA66	7/16"	28 Lbs	66 Ft
WD10RA66	5/8"	41 Lbs	66 Ft

Walk-e-Dog Model	Wire Rope	ANSI/ASME B30.21 OSHA & NASA		Weight Lbs.	A	B	C	Shaft Ø	L1	L2	Advance /Stroke	Hand Pull @WLL
		WLL @ 4:1	SF									
WD05	5/16"	2000 lbs	1T	13.2	17.4"	9.6"	2.6"	0.88"	----	32.7"	2.1"	88 lb
WD07	7/16"	4000 lbs	2T	24.2	22.2"	11.4"	4.0"	1.00"	32.7"	49.0"	2.3"	113 lb
WD10	5/8"	8000 lbs	4T	48.4	26.9"	13.3"	4.7"	1.20"	32.7"	49.0"	1.1"	113 lb



Before using these products; read and follow instructions in the operator's manual. Never exceed capacity. Do not use for lifting people or loads over people.