



Model	Serial No.
-------	------------

# SBX

## Operation & Maintenance Manual ANSI/ASME B30.26

### Hook Type/Style

- SB3-2T (2t)**
- SB4.5-4T (4t)**
- SB6-8T (8t)**
- SB8-8T (8t)**

### Shackle Type/Style

- SBS3-2T (2t)**
- SBS4.5-4T (4t)**
- SBS6-8T (8t)**
- SBS8-8T (8t)**



**READ THIS MANUAL BEFORE USING THESE PRODUCTS.**  
This manual contains important safety, installation, and operation information.



**LEA ESTE MANUAL ANTES DE USAR ESTOS PRODUCTOS.**  
Este manual contiene información importante de seguridad, instalación y operación.

**LIRE CE MANUEL AVANT D'UTILISER CES PRODUITS.**  
Ce manuel contient des informations importantes relatives à la sécurité, à l'installation et au fonctionnement.

This manual provides important information for all personnel involved with the safe installation and operation of these products. Even if you feel you are familiar with this or similar equipment, you should read this manual and refer to ASME B30.26 before operating the product.

**AMH** recognizes that most companies who use snatch blocks have a safety program in force in their plants. In the event you are aware that some conflict exists between a rule set forth in this publication and a similar rule already set by an individual company, the more stringent of the two should take precedence. Safe Operating Instructions are provided to make an operator aware of unsafe practices to avoid and are not necessarily limited to the following list. Refer to specific sections in the manual for additional safety information.



## **Warning**

1. Only allow people, trained in safety and operation of this product, to operate the Block.
2. Only operate Snatch Blocks if you are physically fit to do so.
3. When a "DO NOT OPERATE" sign is placed on the Block, do not operate the Block until the sign has been removed by designated personnel.
4. Before each shift, the operator should inspect the Block for wear or damage.
5. Never use a Block which inspection indicates is worn or damaged.
6. Periodically, inspect the Block thoroughly and replace worn or damaged parts.
7. Lubricate the Block regularly.
8. Do not use Block if hook latch has been sprung or broken.
9. Check that the hook latches are engaged before using.
10. Only lift loads less than or equal to the rated capacity of the Block. See "SPECIFICATIONS" section.
11. When using two or more Blocks to suspend one load, select Blocks each having a rated capacity equal to or more than the applied load.
12. Never place your hand or body parts inside the throat area of a hook, sheaves, swivels, and away from all pinch points where the rope touches the block or load.
13. Never operate a Block with twisted, kinked, "capsized" or damaged Wire Rope.
14. Be certain the load is properly seated in the saddle of the hook and the hook latch is engaged.
15. Do not support the load on the tip of the hook.
16. Always pay attention to the load when operating the Block.
17. Always ensure that you, and all other people, are clear of the path of the load. Do not lift a load over people.
18. Never use the Block for lifting or lowering people, and never allow anyone to stand on a suspended load.
19. Do not swing a suspended load.
20. Never weld or cut on a load suspended by the Block.
21. Do not operate Block if Wire Rope is jumping, excessive noise, jamming, overloading, or binding occurs.
22. After use, or when in a non-operational mode the Snatch Block should be secured against unauthorized and unwarranted use.
23. Chemically active environments, such as caustic or acidic substances or fumes, can affect the strength, operating characteristics, or both of rigging blocks.
24. A qualified person should be consulted when rigging blocks are used in chemically active environments.
25. Failure to design and operate the block lifting system properly may cause the system to malfunction causing the load to slip or fall resulting in serious injury or death.

## **Storage**

Rigging blocks should be stored in an area where they will not be subjected to damage, corrosive action, or extreme temperatures.

## **Inspection** (Ref ASME B30.26)

Frequent and periodic inspections should be performed by a qualified person on the equipment in regular service. Frequent inspections are visual examinations performed by operators or service personnel during routine operation. Periodic inspections are thorough inspections performed by personnel trained in inspection and maintenance of the Blocks. Careful inspection on a regular basis will reveal potentially dangerous conditions while still in the early stages, allowing corrective action to be taken before the condition becomes dangerous.

Any deficiencies identified shall be examined and a determination made by a qualified person as to whether they constitute a hazard.

### **Initial Inspections**

Prior to use; all new, altered, modified, or repaired rigging blocks shall be inspected to verify compliance with the applicable provisions of this Chapter. Written records are not required.

### **Frequent Inspection**

(a) A visual inspection shall be performed each shift before the rigging block is used. Rigging hardware in semi-permanent and inaccessible locations where frequent inspections are not feasible shall have periodic inspections performed.

(b) Conditions such as those listed in Removal Criteria or any other condition that may result in a hazard, shall cause the rigging block to be removed from service. Rigging blocks shall not be returned to service until approved by a qualified person.

(c) Written records are not required but are recommended.

### **Periodic Inspection**

(a) A complete inspection of the rigging block shall be performed. The rigging block shall be examined for conditions such as those listed in Removal Criteria and a determination made as to whether they constitute a hazard.

(b) *Periodic Inspection Frequency*

(1) Periodic inspection intervals shall not exceed 1yr. The frequency of periodic inspections should be based on

(-a) frequency of use

(-b) severity of service conditions

(-c) nature of lifting or load handling activities

(-d) experience gained on the service life of rigging blocks used in similar circumstances

(2) Guidelines for the time intervals are

(-a) normal service — yearly

(-b) severe service — monthly to quarterly

(-c) special service — as recommended by a qualified person

(c) Written records are not required but are a good practice.

## **Removal Criteria**

Rigging blocks shall be removed from service if conditions such as the following are present and shall only be returned to service when approved by a qualified person:

- (a) missing or illegible identification
- (b) misalignment or wobble in sheaves
- (c) excessive sheave groove corrugation or wear
- (d) loose or missing nuts, bolts, cotter pins, snap rings, or other fasteners and retaining devices
- (e) indications of heat damage, including weld spatter or arc strikes
- (f) excessive pitting or corrosion
- (g) bent, cracked, twisted, distorted, stretched, elongated, or broken load-bearing components
- (h) excessive wear, nicks, or gouges
- (i) Wear criteria: 10% reduction of the original or catalog dimension at any point
- (j) excessive damage to load-bearing threads
- (k) evidence of unauthorized welding or modifications
- (l) for hooks, the removal criteria specified in B30.10
- (m) for shackles, the removal criteria specified in B30.26
- (n) inspect shackle for wear, not to exceed 10%, distortion, nicks, gouges, or head damage. No damage to the shackle pin or threads allowed.
- (o) other conditions, including visible damage that cause doubt as to the continued use of the rigging block.
- (p) For wire rope inspection reference ASME B30.30 Ropes in Work

## **Rigging Practices and Load Block Factor Multipliers**

The Working Load Limit (WLL) for the AMH snatch blocks indicates the maximum load that can be exerted on the block and its connecting fittings. This total load value may differ from the weight being lifted or pulled by a hoisting/hauling system. It is imperative to determine the total load being imposed on each block in a system to properly determine the proper rated capacity block to be used. The total load value varies with the angle between the incoming and departing lines to the block.

The total load on the snatch block is equal to the line pull times the angle factor multiplier (see table below). A single sheave block used to change load line direction can be subject to total loads greatly different from the line pull.

Rigging block users shall be trained in the selection, inspection, cautions to personnel, effects of environment, and rigging practices.

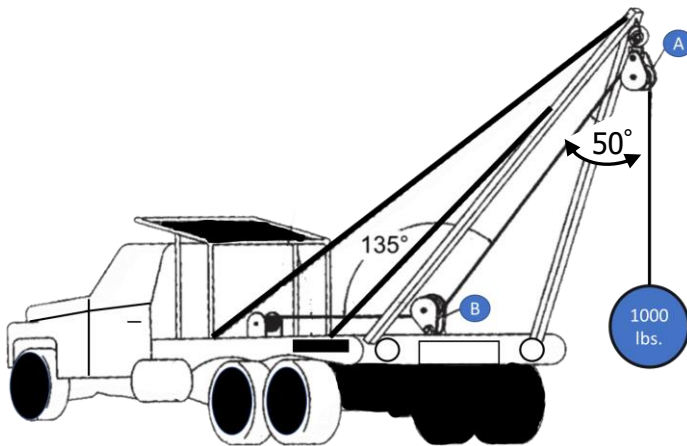
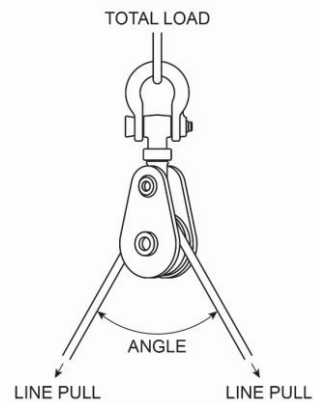
### **Rigging Practices**

- The rigging block components shall be fully engaged, with all fasteners and retaining devices in place and in good working order before use.
- Contact with sharp edges that could damage the rigging block should be avoided.
- Shock loading should be avoided.
- The load applied to the rigging block should be in-line with the sheave and load fitting(s) to prevent side loading of the block.
- Ensure the wire rope is in the sheave groove when the rigging block begins to take load.

- The line load multiplied by the block load factor shall not exceed the rated load of the rigging block (see below).
- Rigging blocks should not be dragged on an abrasive surface.
- Load line fittings shall not contact the rigging block sheave(s).

ANGLE FACTOR MULTIPLIERS			
ANGLE	FACTOR	ANGLE	FACTOR
0°	2.00	100°	1.29
10°	1.99	110°	1.15
20°	1.97	120°	1.00
30°	1.93	130°	.84
40°	1.87	135°	.76
45°	1.84	140°	.68
50°	1.81	150°	.52
60°	1.73	160°	.35
70°	1.64	170°	.17
80°	1.53	180°	.00
90°	1.41		

TOTAL LOAD = LINE PULL X ANGLE FACTOR EXAMPLE:  
 1,000 LBS. LINE PULL AT 60 DEGREES  
 TOTAL LOAD= 1,000 X 1.73 = 1,730 LBS.



No mechanical advantage in a single part load line system, which line pull is equal to 1,000 lbs. or the weight being lifted.

To calculate total load on snatch block A:

**A = 1,000 lbs. x 1.81 = 1,810 lbs.**

(line pull) (factor 50° angle)

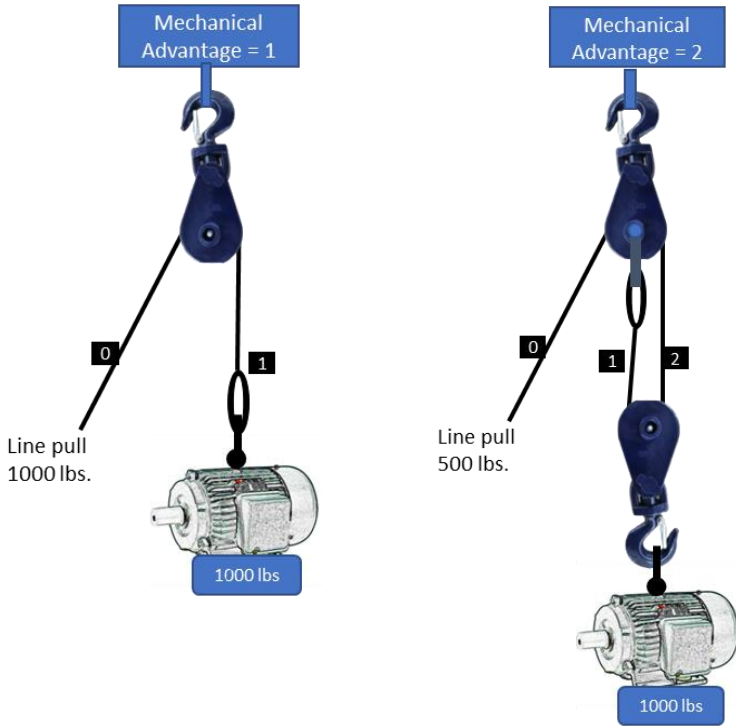
To calculate total load on snatch block B:

**B = 1,000 lbs. x .76 = 760 lbs.**

(line pull) (factor 135° angle)

**(line pull will be greater than shown due to efficiency losses)**

## MECHANICAL ADVANTAGE (DETERMINING LINE PULL)



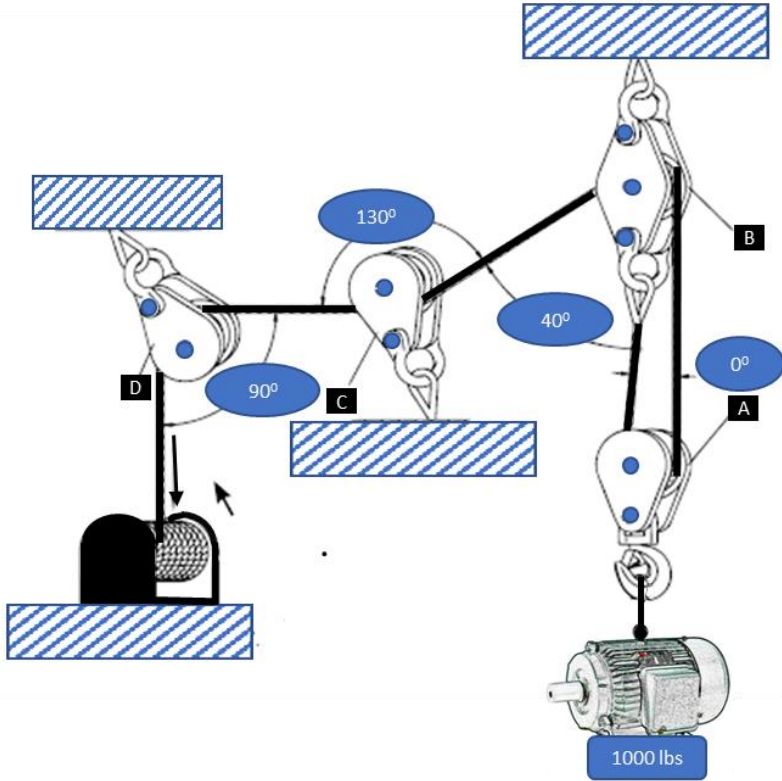
LINE PULL = WEIGHT TO BE LIFTED / MECHANICAL ADVANTAGE

**Only the part of line supporting the load is counted. Never include the line pull line represented as a "0" above.**

**A qualified person must determine correct anchorage or lift points.  
Consult a rigging manual for further information.**

English

**A qualified person must determine correct anchorage or lift points.**  
**Consult a rigging manual for further information.**



Determine line pull (force required to lift load):  
**1000 lbs / 2 = 500 lbs**

Determine load on block "A"  
 Line pull x (factor of 0 degrees, see angle factor chart)  
**500 lbs x 2 = 1,000 lbs**

Determine load on block "B"  
 (Line pull x angle factor) + dead end load  
**500 lbs. x 1.87 + 500 lbs = 1435 lbs**

Determine load on block "C"  
 Line pull x factor of 130 degrees, see Angle factor Chart  
**500 lbs x .84 = 420 lbs**

Determine load on block "D"  
 Line pull x factor of 90 degrees, see Angle factor Chart  
**500 lbs x 1.41 = 705 lbs**

## Lubrication

The use of thread lubricant or anti-seize compound is recommended for threaded components. Use NLG # 2 grease for zerk fitting. Unless otherwise stated, remove old lubricant, clean the part with an acid free solvent and apply a new coating of lubricant to the part.

## Specifications

	Capacity	WLL	SHEAVE Día	Wire Rope	Proof	Test
Model	KG	Lbs.	(inches)	Día inch	Kg.	Lbs.
SB3-2T	2000	4400	3	5/16-3/8	3000	6600
SB4.5-4T	4000	8800	4.5	3/8-1/2	6000	13200
SB6-8T	8000	17600	6	5/8-3/4	12000	26400
SB8-8T	8000	17600	8	5/8-3/4	12000	26400

Use the chart above block model with shackle upper attachment. Shackle attachment will have the first three letters of the model number as SBS.

### **OPERATING TEMPERATURE RANGE**

The block can be used in the temperature range of -40 degrees (F or C) to 100 degrees C. or 212 degrees F.

Typical issues caused by misuse that are not covered by warranty:

- Bent, stretched or broken hooks or parts due to side pulling or overloading
- Missing or sprung hook latch
- Missing parts
- Corrosion
- Lack of maintenance (improper storing or lubrication)
- Exposure to abnormal environments
- Any type of heat damage
- Worn or deformed components or wear from normal use

Specifications and dimensions listed on the AMH website or in printed materials are provided as general information and are not binding. AMH reserves the right to alter equipment, parts, fittings, or accessories without prior notice for any reason.

This manual and other product information is available from: [www.allmaterialhandling.com](http://www.allmaterialhandling.com)

## Spare Parts

Part #	Model	Description
CLKSB3	SB3-2T	Hook Latch Kit
CLKSB4.5	SB4.5-4T	Hook Latch Kit
CLKSB6-SB8	SB6-8T & SB8-8T	Hook Latch Kit



## **LIFETIME LIMITED WARRANTY**

We make every effort to assure that our products meet high quality and durability standards, and we warrant to the original consumer of the product that each is free from defects in material and workmanship as follows:

This warranty does not apply to defects due directly or indirectly to misuse, negligence or accidents, repairs, or alterations outside our facilities or to a lack of maintenance. The warranty begins with the date of purchased from an authorized AMH dealer by the original user. Please retain your dated sales receipt as proof of purchase to validate the warranty. Except as stated herein, any implied warranties or merchantability and fitness are excluded. AMH shall in no event be liable for death, injuries to persons or property or for incidental, contingent, special, or consequential damages arising from the use of our products. Some states do not allow the exclusions or limitation of incidental or consequential damages; hence the above limitations or exclusions may not apply to you. To take advantage of this warranty, the product must be returned for examination, postage prepaid to an authorized service station. Proof of purchase date and an explanation of the complaint must accompany the product. No returns will be accepted without prior authorization obtained through an AMH dealer. If our inspection discloses a manufacturing defect, we will either repair or replace the product or refund the purchase price, if we cannot quickly provide a repair or replacement, if you are willing to accept such a refund. We will return repaired products or the replacement at our expense, but if we find that there is no defect, or that the defect resulted from causes not within the scope of this warranty, then the user must bear the cost of returning the product. This warranty gives you specific legal rights, and you may also have other rights that vary from state to state.



Modelo	Número de Serie.
--------	------------------

# SBX

## Manual de operaciones y mantenimiento ANSI/ASME B30.26

### Tipo de Gancho/Estilo

SB3-2T (2t)

SB4.5-4T (4t)

SB6-8T (8t)

SB8-8T (8t)

### Tipo de Grillete /Estilo

SBS3-2T (2t)

SBS4.5-4T (4t)

SBS6-8T (8t)

SBS8-8T (8t)



**LEA ESTE MANUAL ANTES DE USAR ESTOS PRODUCTOS.**  
Este manual contiene información importante de seguridad,  
instalación y operación.

English

Español

Français

Este manual proporciona información importante para todo el personal responsable de la instalación y el uso seguro de estos productos. Incluso si cree que está familiarizado con estos o productos similares, debe leer este manual y consultar ASME B30.26 antes de usar el producto.

AMH reconoce que la mayoría de las empresas que utilizan una polea con gancho/ grillete tienen programas de seguridad en sus fábricas. En caso de que existan discrepancias entre las normas establecidas por esta publicación y una norma similar ya existente establecida por una empresa individual, la más rigurosa de las dos, establecerá la norma. Se proporcionan instrucciones de operación y seguridad para advertir al operador de prácticas inseguras que debe evitar y que no son exclusivas de esta lista. Consulte las secciones específicas del manual para obtener información de seguridad adicional



## **Atención**

1. Asegúrese de que solo personal capacitado en seguridad y capacitado en el uso de maquinaria utilice la polea.
2. Utilice la polea únicamente si se encuentra en buenas condiciones físicas.
3. Cuando se coloca un letrero de "No usar" en la polea, no lo use hasta que el personal autorizado lo quite.
4. Antes de cada turno, el operador debe inspeccionar el desgaste y la degradación.
5. Nunca use una polea que parezca desgastada o dañada al inspeccionarla.
6. Inspeccione periódicamente y a fondo la polea y reemplace las piezas desgastadas o dañadas.
7. Lubrique la polea regularmente.
8. No use la polea si el cierre de seguridad del gancho está deformado o roto.
9. Verifique que las abrazaderas que se pueden abrir estén bloqueadas antes de usarlas
10. Levante solo cargas iguales o menores a la capacidad nominal de la polea. Consulte la sección "Especificaciones"
11. Cuando use una o más poleas para suspender una carga, seleccione poleas que tengan una capacidad igual o mayor al límite de carga nominal.
12. Nunca coloque su mano o cualquier parte de su cuerpo dentro del área de la garganta del gancho, la polea, los pivotes y lejos de cualquier punto de pellizco donde la cuerda toca la polea o la carga.
13. Nunca haga funcionar una polea con un cable metálico, no la retuerza, doble, vuelque ni dañe.
14. Asegúrese de que la carga esté correctamente colocada en la silleta del gancho y que el cierre del gancho esté enganchado.
15. No cuelgue la carga en la punta del gancho.
16. Preste siempre atención a la carga cuando utilice la polea.
17. asegúrese siempre de que usted y todos los presentes estén fuera del camino de la carga. No levante una carga por encima de alguien.
18. Nunca use la polea para subir o bajar personas y nunca permita que nadie se pare debajo de una carga suspendida.
19. No balancee una carga suspendida.
20. Nunca suelde ni corte mientras la carga está suspendida de la polea.
21. No use la polea si el cable salta, hace ruido excesivo, se atasca, se sobrecarga o se produce cualquier tensión.
22. Después del uso, o cuando no esté en modo operativo, la polea debe protegerse contra el uso no autorizado e injustificado.
23. Los ambientes químicamente activos, como sustancias o vapores cáusticos o ácidos, pueden afectar o alterar la resistencia de la polea, las características operativas bajo cargas pesadas, o ambas.
24. Se debe consultar a personal calificado cuando se utilicen poleas de enganche en áreas químicamente activas.
25. Si el sistema de poleas no se instala y opera correctamente, puede provocar un mal funcionamiento y que la carga se deslice o se caiga, lo que puede provocar lesiones graves o la muerte.

# **Almacenamiento**

Las poleas de servicio pesado deben almacenarse en un área donde no se vean afectadas por la corrosión o las temperaturas extremas.

## **Inspección (Ref. ASME B30.26)**

Las inspecciones frecuentes y periódicas deben ser realizadas por personal calificado en el equipo en servicio regular. Los operadores o el personal de servicio realizan inspecciones frecuentes caracterizadas por comprobaciones a simple vista durante el funcionamiento corriente. Las inspecciones periódicas son inspecciones minuciosas realizadas por personal capacitado en la inspección y mantenimiento de Poleas. Una inspección minuciosa periódica revelará condiciones potencialmente peligrosas mientras aún se encuentran en las primeras etapas de degradación o desgaste, lo que permitirá tomar medidas correctivas antes de que la condición se vuelva peligrosa. Cualquier deficiencia identificada debe ser investigada y una decisión tomada por personal calificado para determinar si esto constituye un peligro potencial.

### **Inspecciones iniciales**

Antes del uso, todas las poleas nuevas de servicio pesado, alteradas, modificadas o reparadas deben inspeccionarse para verificar el cumplimiento de las disposiciones aplicables de este capítulo. No se requiere documentación manuscrita.

### **Inspección frecuentes**

(a) Se debe realizar una inspección visual en cada turno antes de usar la polea. El equipo pesado que se encuentra en lugares semi-permanentes e inaccesibles donde no es posible una inspección frecuente debe inspeccionarse periódicamente.

(b) Las condiciones como las que se enumeran en los criterios de remoción o cualquier otra condición que pudiera causar un peligro deberán hacer que la polea quede fuera de servicio. Las poleas no deben volver a ponerse en servicio hasta que lo apruebe el personal calificado.

(c) La documentación manuscrita no es obligatoria pero se recomienda.

### **Inspección periódica**

(a) Se debe realizar una inspección completa de la polea. La polea debe ser examinada para verificar las condiciones y el estado, tales como las enumeradas en los criterios de remoción, y se debe determinar si constituyen un peligro.

(b) Frecuencia de las inspecciones periódicas

(1) Los intervalos de inspección periódica no deben exceder 1 año. La frecuencia de las inspecciones periódicas debe basarse en

(-a) frecuencia de uso

(-b) severidad de las condiciones de servicio

(-c) naturaleza de las actividades de elevación o manipulación de cargas

(-d) la experiencia adquirida durante la vida útil de las poleas de amarre utilizadas en circunstancias similares

(2) Las pautas para los intervalos de tiempo son

(-a) servicio normal — anual

(-b) servicio pesado — mensual a trimestral

(-c) servicio especial — según lo recomendado por una persona calificada

(c) la documentación manuscrita no es obligatoria pero es una buena práctica

## **Criterios de Desmantelamiento**

Las poleas deben retirarse del servicio si presentan condiciones como las siguientes y no deben volver a ponerse en servicio a menos que lo autorice una persona calificada.

- (a) Identificación faltante o ilegible
- (b) polea desalineada o tambaleante
- (c) ondulación o desgaste excesivo de la ranura de la polea
- (d) tuercas, pernos, pasadores de chaveta, anillos de seguridad u otros sujetadores y retenedores sueltos o faltantes
- (e) señales de daño causadas por el calor, incluidas salpicaduras de soldadura o arco eléctrico
- (f) picaduras o corrosión excesivas
- (g) componentes de soporte de carga doblados, agrietados, torcidos, distorsionados, estirados o rotos
- (h) desgaste excesivo, muescas o hendiduras
- (i) Criterios de desgaste: 10 % de reducción de la dimensión original o mencionada en el catálogo en cualquier momento
- (j) daño excesivo a la rosca de soporte
- (k) indicaciones de soldadura o modificación no autorizada
- (l) para ganchos, los criterios de remoción especificados en B30.10
- (m) para grilletes, los criterios de contracción especificados en B30.26
- (n) inspeccionar el grillete en busca de desgaste que no exceda el 10%, distorsión, muescas o daños en la cabeza. No se permite dañar el pasador ni las roscas del grillete.
- (o) otras condiciones, incluidos los daños visibles que pongan en duda el uso continuo de la polea.
- (p) Para la inspección de cables de acero, refiérase a ASME B30.30 Cables en uso

## **Prácticas de izaje y multiplicadores de carga administrados a la polea**

El límite de carga de trabajo (Carga Máxima de tracción) para poleas AMH indica la carga máxima que se puede ejercer sobre la polea y sus accesorios de conexión. Este valor de carga total puede diferir del peso levantado o tirado por un sistema de elevación/transporte. Es imperativo determinar la carga total impuesta en cada polea en un sistema para determinar correctamente la capacidad nominal adecuada para usar en la polea. El valor de la carga total varía con el ángulo entre las líneas de entrada y salida de la polea.

La carga total en la polea es igual a la tracción de la línea multiplicada por el factor de ángulo multiplicador (consulte la tabla a continuación). Una sola polea utilizada para cambiar la dirección de la línea de carga puede estar sujeta a cargas totales muy diferentes de la línea de tracción.

Los usuarios de poleas de izaje deben estar capacitados en selección, inspección, precauciones del personal, efectos ambientales y prácticas de izaje.

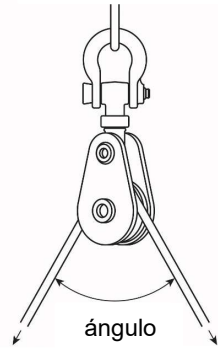
### **Prácticas de levantamiento**

- Los componentes de la polea deben estar completamente enganchados, con todos los sujetadores y retenedores en su lugar y en buen estado de funcionamiento antes de su uso.
- Debe evitarse el contacto con bordes afilados que podrían dañar la polea de fijación.
- Deben evitarse las cargas repentinas.
- La carga aplicada en la polea debe estar alineada con la polea y los accesorios de carga para evitar la carga lateral del bloque.
- Asegúrese de que el cable metálico esté en la ranura de la polea cuando la polea comience a cargar.
- La carga de la línea de tracción multiplicada por el factor de carga de la polea no debe exceder la carga nominal de la polea de enganche (ver a continuación).
- Las poleas elevadoras no deben arrastrarse sobre una superficie abrasiva.
- Los accesorios de la línea de carga no deben entrar en contacto con el polipasto de las poleas.

MULTIPLICADORES DE FACTORES DE ÁNGULO			
ÁNGULO	FACTEUR	ÁNGULO	FACTEUR
0°	2.00	100°	1.29
10°	1.99	110°	1.15
20°	1.97	120°	1.00
30°	1.93	130°	.84
40°	1.87	135°	.76
45°	1.84	140°	.68
50°	1.81	150°	.52
60°	1.73	160°	.35
70°	1.64	170°	.17
80°	1.53	180°	.00
90°	1.41		

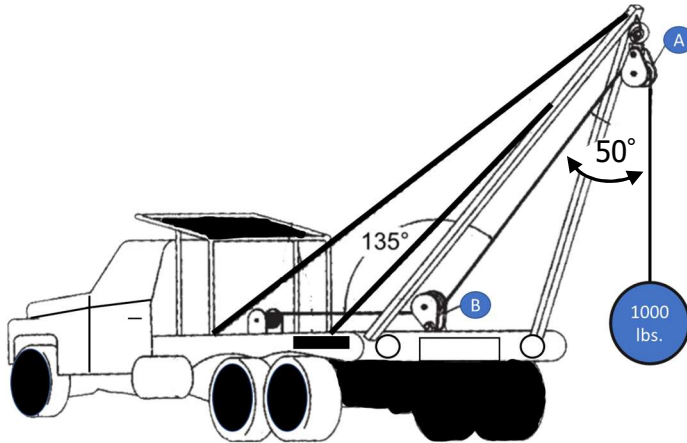
Charge Totale=Ligne de traction, Exemple de facteur d'angle X: 1000lbs. Ligne de traction à 60 degrés Charge Totale=1000 x 1,73= 1,730lbs

Carga Total



Línea de tracción

Línea de tracción



Ninguna ventaja mecánica en un sistema de línea de carga está concentrada en un solo punto en el sistema, la línea de carga, la tracción de la línea del cabrestante es igual a 1000 lbs. o el peso levantado.

Para calcular el peso total sobre la polea A:

**A = 1000 libras. x 1,81 = 1810 libras.**

(línea de tracción) (factor de ángulo de 50°)

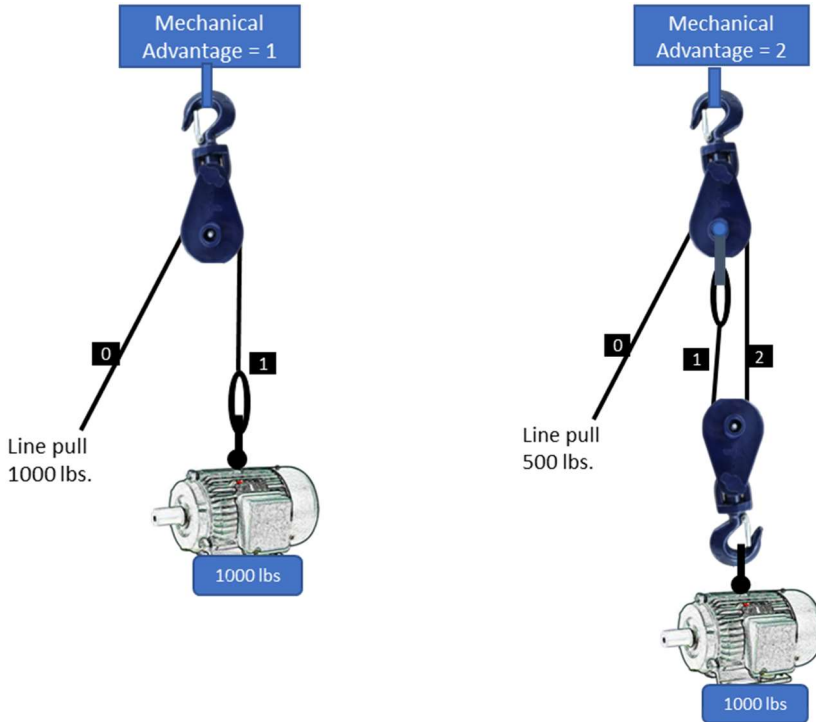
Para calcular la carga total sobre la polea B:

**B = 1000 libras. x 0,76 = 760 libras.**

(línea de tracción) (factor 135° ángulo)

**(la tracción de la línea será mayor que la indicada debido a pérdidas de eficacia)**

## VENTAJA MECÁNICA (DETERMINACIÓN DE LA TRACCIÓN DE LA LÍNEA)



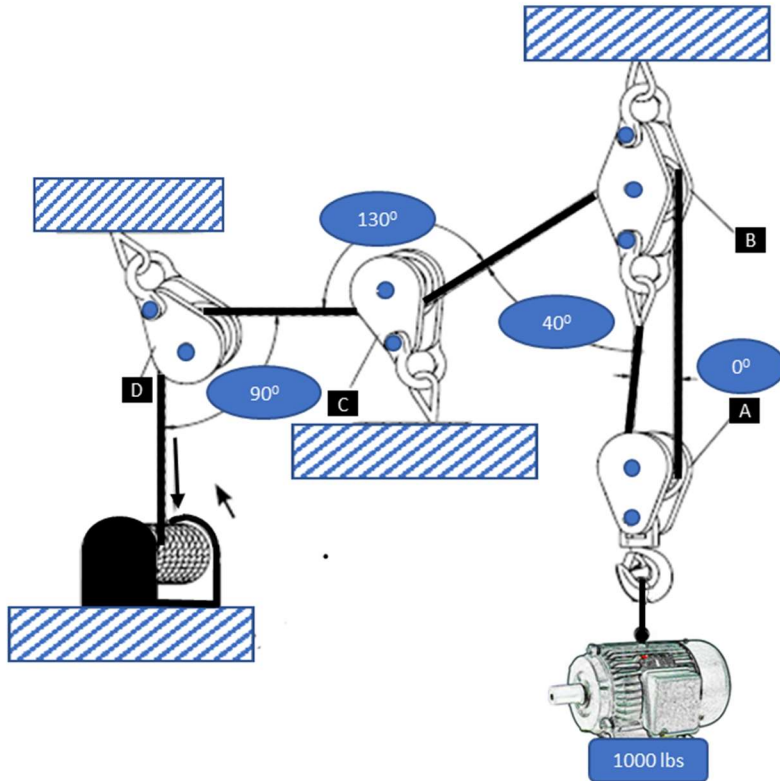
TIRO DE LÍNEA = PESO A LEVANTAR / VENTAJA MECÁNICA

**Solo cuenta la parte de la línea que soporta la carga. Nunca incluya la línea de tracción de la línea representada como un "0" arriba.**

**Una persona calificada debe determinar los puntos de anclaje o elevación apropiados. Consulte un manual de montaje para obtener más información.**

Español

**Una persona calificada debe determinar los puntos de anclaje o elevación apropiados.**  
**Consulte un manual de montaje para obtener más información.**



Determine la fuerza de tracción (fuerza necesaria para levantar la carga):  
**1000 libras / 2 = 500 libras**

Determine la carga en la polea "A"  
Tracción de línea X (factor de 0 grados, consulte la tabla de factor de ángulo)  
**500 libras x 2 = 1,000 libras**

Determine la carga en la polea "B"  
(línea de tracción X factor de ángulo) + carga de peso muerto  
**500 libras x 1,87 + 500 libras = 1435 libras**

Determine la carga en la polea "C"  
Factor X de tracción de línea de 130 grados, consulte la tabla de factores  
**500 libras x 0,84 = 420 libras**

Determine la carga en la polea "D"  
Factor X de tracción de línea de 90 grados, consulte la tabla de factores de ángulo  
**500 libras x 1,41 = 705 libras**



## Lubricación

Se recomienda el uso de un lubricante para roscas o un compuesto antiadherente para los componentes roscados. Use grasa NLG #2 para la conexión Zerk. A menos que se especifique lo contrario, retire el lubricante viejo, limpie la pieza con un solvente libre de ácido y aplique una nueva capa de lubricante a la pieza.

## Especificaciones

	Capacidad	Carga maxima	Diámetro. POLEA	Cuerda metálica	Resistencia	Prueba
Modelo	KG	Lbs.	(inches)	Día inch	Kg.	Lbs.
SB3-2T	2000	4400	3	5/16-3/8	3000	6600
SB4.5-4T	4000	8800	4.5	3/8-1/2	6000	13200
SB6-8T	8000	17600	6	5/8-3/4	12000	26400
SB8-8T	8000	17600	8	5/8-3/4	12000	26400

Use la tabla anterior Modelo de polea con accesorio superior de grillete. El accesorio de grillete tendrá las tres primeras letras del número de modelo como SBS.

### **Gamas de temperatura de funcionamiento**

La polea se puede utilizar entre una gama de temperatura de -40 grados (FouC) a 100 grados C 212 grados F.

Problemas típicos causados por un mal uso que no están cubiertos por la garantía:

- Ganchos o partes dobladas, estiradas o rotas debido a tirones laterales o sobrecarga
- Falta del muelle en el cierre del gancho
- Partes faltantes
- Corrosión
- Falta de mantenimiento (mal almacenamiento o lubricación)
- Exposición a condiciones anormales
- Cualquier tipo de daño por calor
- Componentes desgastados o deformados o desgaste por el uso normal

Las especificaciones y dimensiones que se muestran en el sitio web de AMH o en los materiales impresos se proporcionan como información general y no son vinculantes. AMH se reserva el derecho de cambiar equipos, piezas, accesorios o accesorios sin previo aviso por cualquier motivo. Este manual y otra información del producto están disponibles en: [www.allmaterialhandling.com](http://www.allmaterialhandling.com)

## Pieza de Recambio

Pieza #	Modelo	Descripcion
CLKSB3	SB3-2T	Kit de cierre de gancho
CLKSB4.5	SB4.5-4T	Kit de cierre de gancho
CLKSB6-SB8	SB6-8T & SB8-8T	Kit de cierre de gancho

## **GARANTIA LIMITADA DE POR VIDA**

Nos esforzamos por garantizar que nuestros productos cumplan con altos estándares de calidad y durabilidad, y le garantizamos al consumidor que usa este producto por primera vez que ninguno de ellos tiene defectos en los materiales ni en la mano de obra de la siguiente manera:

Esta garantía no se aplica a defectos causados directamente o indirectamente por mal uso, negligencia o accidentes, reparaciones o alteraciones fuera de nuestras instalaciones o falta de mantenimiento. La garantía comienza en la fecha de compra de un distribuidor AMH autorizado por el usuario original. Guarde su recibo de compra fechado como prueba de compra para validar la garantía. Con excepción de lo establecido en este documento, se excluyen todas las garantías implícitas o garantías de comerciante y consecuentes. En ningún caso AMH será responsable por la muerte, lesiones a personas o propiedad o daños incidentales, contingentes, especiales o consecuentes que resulten del uso de nuestros productos. Algunos estados no permiten las exclusiones o limitaciones de daños incidentales o consecuentes; por lo tanto, es posible que las limitaciones o exclusiones anteriores no se apliquen a usted. Para calificar para esta garantía, el producto debe devolverse para su examen, con flete prepago, a un centro de servicio autorizado. El comprobante de la fecha de compra y una explicación de la reclamación deben acompañar al producto. No se aceptarán devoluciones sin la autorización previa obtenida a través de un revendedor de AMH. Si nuestra inspección revela un defecto de fabricación, repararemos o reemplazaremos el producto o reembolsaremos el precio de compra, si no podemos proporcionar una reparación o reemplazo de inmediato, si está dispuesto a aceptar dicho reembolso. Devolveremos los productos reparados o de sustitución a nuestra costa, pero si comprobamos que no hay ningún defecto, o el defecto se debe a causas no cubiertas por esta garantía, entonces el usuario deberá hacerse cargo de los gastos de devolución del producto. Esta garantía le otorga derechos legales específicos y también puede tener otros derechos que varían de un estado a otro.



# SBX

Modèle	Numéro de Série.
--------	------------------

## Manuel d'utilisation et d'entretien ANSI/ASME B30.26

### Type de Crochet /Style

SB3-2T (2t)

SB4.5-4T (4t)

SB6-8T (8t)

SB8-8T (8t)

### Type de Manille /Style

SBS3-2T (2t)

SBS4.5-4T (4t)

SBS6-8T (8t)

SBS8-8T (8t)



**LIRE CE MANUEL AVANT D'UTILISER CES PRODUITS.**  
Ce manuel contient des informations importantes relatives à la sécurité, à l'installation et au fonctionnement.

Français

Ce manuel fournit des renseignements importants pour tous le personnel responsable de l'installation de ces produits en toute sécurité ainsi que leur utilisation. Même si vous pensez être familiariser avec ces produits ou d'autres similaires, vous devez lire ce manuel et vous référer à ASME B30.26 avant d'utiliser le produit.

AMH reconnaît que la plupart des sociétés qui utilise une poulie ouvrante avec crochet/ manille ont des programmes de sécurité appliquer dans leurs usines. Dans l'éventualité où il y aurait des désaccords entre les normes établis par cette publication et une règle similaire déjà existante établis par une société individuelle, la plus rigoureuse des deux, établis la norme. Les instructions de fonctionnement et de sécurité sont fournies pour prévenir l'opérateur et lui indiquer les pratique imprudentes à éviter et qui ne sont pas exclusivement unique a cette liste. Se référer à certaines sections spécifiques dans le manuel pour tout autre renseignements supplémentaires sur la sécurité.



## **Attention**

1. Veiller à, ce que seul, un personnel formé a la sécurité et entrainer à l'utilisation des machines, utilise la poulie ouvrante.
2. Utiliser uniquement la poulie ouvrante si vous êtes en bonne condition physique.
3. Quand une pancarte mentionnant "Ne pas utiliser" est placée sur la poulie ouvrante, ne l'utilisez pas jusqu'à ce que le personnel autorisé l'est enlevé .
4. Avant chaque changement d'équipe, l'opérateur doit inspecter l'usure et la dégradation.
5. Ne jamais utiliser une poulie qui apparaît user où endommager après inspection.
6. Inspecter régulièrement et méticuleusement la poulie et remplacer les pièces user où endommager .
7. Lubrifier la poulie régulièrement .
8. Ne pas utiliser la poulie ouvrante si le linguet de sécurité est déformé où cassé.
9. Vérifier que les languets de sécurité sont verrouillés avant de les utilisées
10. Ne soulever que des charges inférieurs ou égales a la capacité nominale de la poulie. Voir la Rubrique "Spécifications"
11. Lorsque l'on utilisent une ou plusieurs poulies pour suspendre une charge, sélectionner les poulies qui ont chacune une capacité égale ou supérieure a la limite de la charge nominale.
12. Ne jamais placer votre main ou quelconque partie de votre corps a l'intérieur de la zone de la gorge du crochet, de la poulie, pivots, et loin de tous les points de pincement ou la corde touche la poulie ou la charge.
13. Ne faites jamais fonctionner une poulie avec un câble métallique, torsader, entortiller, renverser ou endommager.
14. Assurez vous que la charge est correctement placée dans la selle du crochet que le loquet du crochet est enclenché.
15. Ne pas accrocher la charge sur la pointe du crochet.
16. Faites toujours attention a la charge lors de l'utilisation de la poulie.
17. veillez à toujours vous assurer que vous êtes et que tous le monde présent est à l'écart de la trajectoire de la charge. Ne soulever pas une charge au dessus de quelqu'un.
18. N'utilisez jamais la poulie pour soulever ou abaisser des personnes et ne laissez jamais personne se tenir debout sur une charge suspendue.
19. Ne balancez pas une charge suspendue.
20. Ne jamais souder ou couper pendant que la charge est suspendue a la poulie.
21. Ne pas utilisez la poulie si le câble métallique saute, si elle fait un bruit excessif, un blocage, une surcharge ou une contrainte quelconque se produit.
22. Après utilisation, ou lorsqu'elle est en mode non opérationnel, la poulie ouvrante doit être sécurisé contre toute utilisation non autorisée et injustifiée.
23. Les environnements chimiquement actifs, tels que les substances caustiques ou acides ou les vapeurs, peuvent affectés ou altérés la resistance, les caractéristiques de fonctionnement de la poulie à charges lourdes ou les deux.
24. Un personnel qualifié doit être consulté lorsque les poulies d'accrochages sont utilisées dans des secteurs chimiquement actifs.
25. Si le système de poulie n'est pas installer et opérer correctement cela peut entrainer un dysfonctionnement de celui ci entrainant un glissement ou la chute de la charge pouvant provoquer des blessures graves ou la mort

## **Stockage**

Les poulies à charges lourdes doivent être stockés dans une zone où elles ne seront pas affectées par la corrosion ou des températures extrêmes.

## **Inspection** (Ref ASME B30.26)

Des inspections fréquentes et périodiques doivent être effectuées par un personnel qualifié sur l'équipement en service régulier. Les opérateurs ou le personnel de service effectue De fréquentes inspections caractérisées par des vérifications effectuées à l'oeil nu pendant leur fonctionnement habituel. Les inspections périodiques sont des inspections approfondies effectuées par du personnel formé à l'inspection et à l'entretien des Poulies. Une inspection minutieuse sur une base régulière révélera des conditions potentiellement dangereuses alors qu'elles n'en sont encore qu'aux premiers stades de dégradations ou d'usures, ce qui permettra de prendre des mesures correctives avant que la condition ne devienne dangereuse.

Toute déficience identifiée doit être examinée et une décision prise par un personnel qualifiée pour déterminer si cela constitue un danger potentiel.

### **Inspections initiales**

Avant l'utilisation, toutes les nouvelles poulies a charges lourdes, altérées, modifiées ou réparées doivent être inspectées afin de vérifier la conformité aux dispositions applicable du présent chapitre. les documents manuscrits ne sont pas requis.

### **Inspections Fréquentes**

(a) Une inspection visuelle doit être effectuée à chaque quart de travail avant l'utilisation de la poulie ouvrante. Le matériel de charges lourdes qui sont dans des endroits semi-permanents et inaccessibles où des inspections fréquentes ne sont pas possibles doit faire l'objet d'inspections périodiques.

(b) Des conditions telles que celles énumérées dans les critères de retrait ou toute autre condition pouvant entraîner un danger doivent entraîner la mise hors service de la poulie ouvrante. Les poulies ouvrantes ne doivent pas être remis en service avant d'avoir été approuvés par un personnel qualifié.

(c) Les documents manuscrits ne sont pas obligatoires mais recommandés.

### **Inspection Périodique**

a) Une inspection complète de la poulie ouvrante doit être effectuée. La poulie ouvrante doit être examinée pour vérifier l'état et les conditions, telles que celles énumérées dans les critères de retrait et une détermination doit être faite pour établir si elles constituent un danger.

(b) Fréquence des inspections périodiques

(1) Les intervalles d'inspection périodique ne doivent pas dépasser 1 an. La fréquence des inspections périodiques doit être basée sur

- (-a) fréquence d'utilisation
- (-b) sévérité des conditions de service
- (-c) nature des activités de levage ou de manutention de charges
- (-d) expérience acquise sur la durée de vie des poulies d'accrochage utilisées dans des circonstances similaires

(2) Les lignes directrices pour les intervalles de temps sont

- (-a) service normal — annuel
- (-b) service intensif — mensuel à trimestriel
- (-c) service spécial — tel que recommandé par une personne qualifiée
- (c) les documents manuscrits ne sont pas obligatoires mais constituent une bonne pratique

## **Critères de mise hors service**

Les poulies ouvrantes doivent être mise hors service si des conditions telles que les suivantes sont présentes et ne doivent être remisent en service que si une personne qualifié l'autorise.

- (a) Identification manquante ou illisible
- (b) désalignement ou oscillation des poulies
- (c) ondulation ou usure excessive de la gorge de la poulie
- (d) écrous, boulons, goupilles fendues, circlips ou autres fixations et dispositifs de retenue desserrés ou manquants
- (e) des signes de dommages causés par la chaleur, y compris des projections de soudure ou des coups d'arc
- (f) piqûres ou corrosion excessives
- (g) composants porteurs pliés, fissurés, tordus, déformés, étirés, allongés ou cassés
- (h) usure excessive, entailles ou rainures
- (i) Critères d'usure: réduction de 10 % de la dimension d'origine ou de celles mentionné dans le catalogue à tout moment
- (j) dommages excessifs aux filetages porteurs
- (k) indications de soudures ou de modifications non autorisées
- (l) pour les crochets, les critères d'enlèvement spécifiés en B30.10
- (m) pour les manilles, les critères de retrait spécifiés en B30.26
- (n) inspecter l'usure de la manille qui ne doit pas dépasser 10 %, la distorsion, les entailles, les rainures ou les dommages à la tête. Aucun dommage à l'axe de la manille ou aux filetages n'est autorisé.
- (o) d'autres conditions, y compris des dommages visibles qui mettent en doute l'utilisation continue de poulie ouvrante.
- (p) Pour l'inspection des câbles métalliques, référence ASME B30.30 Ropes in work

## **Pratiques de levage et facteur multiplicateurs de la charge administrer à la poulie**

La limite de charge opérationnel (Charge Maximale de traction) pour les poulies ouvrantes AMH indique la charge maximale qui peut être exercée sur la poulie et ses ferrures de raccordement. Cette valeur de charge totale peut différer du poids soulevé ou tiré par un système de levage/transport. Il est impératif de déterminer la charge totale imposée à chaque poulie dans un système pour déterminer correctement la capacité nominale approprié à utiliser pour la poulie. La valeur de charge totale varie avec l'angle entre les lignes entrantes et sortantes de la poulie.

La charge totale sur la poulie ouvrante est égale à la traction de ligne multipliée par le facteur d'angle multiplicateur (voir tableau ci-dessous). Une seule poulie utilisé pour changer la direction de la ligne de charge peut être soumise à des charges totales très différentes de la ligne de traction.

Les utilisateurs de poulie ouvrante de levage doivent être formés à la sélection, à l'inspection, aux précautions au personnel, aux effets de l'environnement et aux pratiques de levages.

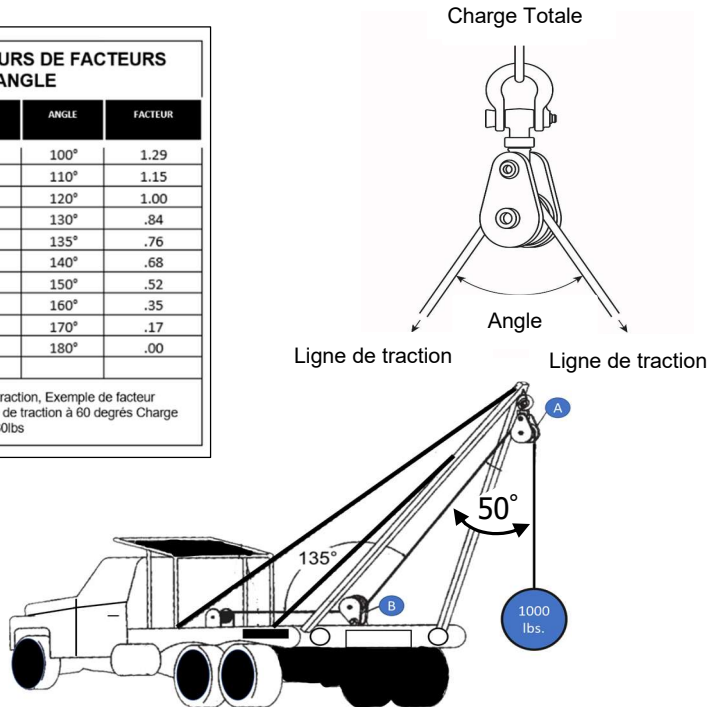
### **Pratiques de levages**

- Les composants de la poulie doivent être entièrement engagés, avec toutes les attaches et tous les dispositifs de retenue en place et en bon état de fonctionnement avant utilisation.

- Le contact avec des bords aiguisés qui pourraient endommager la poulie d'accrochage doit être évité.
- Les charges soudaines doivent être évitées.
- La charge appliquée à la poulie ouvrante doit être alignée avec le réa et le(s) raccord(s) de charge pour éviter une charge latérale de la poulie.
- Assurez-vous que le câble métallique est dans la rainure de la poulie lorsque celle-ci commence à prendre de la charge.
- La charge de la ligne de traction multipliée par le facteur de charge de la poulie ne doit pas dépasser la charge nominale de la poulie d'accrochage (voir ci-dessous) Les poulies ouvrantes de levage ne doivent pas être traînées sur une surface abrasive.
- Les poulies ouvrantes de levage ne doivent pas être traînées sur une surface abrasive.
- Les raccords de la ligne de charge ne doivent pas entrer en contact avec le(s) réa(s) de la poulie de levage.

MULTIPLICATEURS DE FACTEURS D'ANGLE			
ANGLE	FACTEUR	ANGLE	FACTEUR
0°	2.00	100°	1.29
10°	1.99	110°	1.15
20°	1.97	120°	1.00
30°	1.93	130°	.84
40°	1.87	135°	.76
45°	1.84	140°	.68
50°	1.81	150°	.52
60°	1.73	160°	.35
70°	1.64	170°	.17
80°	1.53	180°	.00
90°	1.41		

Charge Totale=Ligne de traction, Exemple de facteur d'angle X: 1000lbs. Ligne de traction à 60 degrés Charge Totale=1000 x 1,73= 1,730lbs



Aucun avantage mécanique dans un système de ligne de charge est concentrée en un seul point du système, la ligne de charge, la traction de la ligne de treuil est égale à 1000 Lb. ou au poids soulevé.

Pour calculer le poids total sur la moufle A:

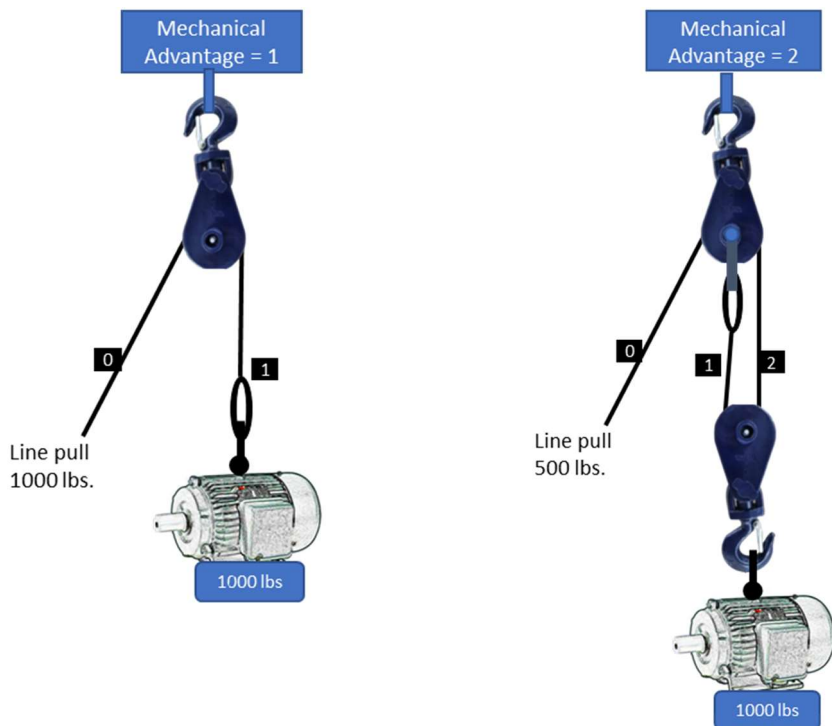
**A = 1,000 lbs. x 1.81 = 1,810 lbs.**  
(ligne de traction) (facteur 50° angle)

Pour calculer la charge totale sur la moufle B:

**B = 1,000 lbs. x .76 = 760 lbs.**  
(ligne de traction) (facteur 135° angle)

**(la traction de la ligne sera supérieure à celle indiquée en raison des pertes d'efficacité)**

## Avantage mécanique (déterminant la traction de la ligne)



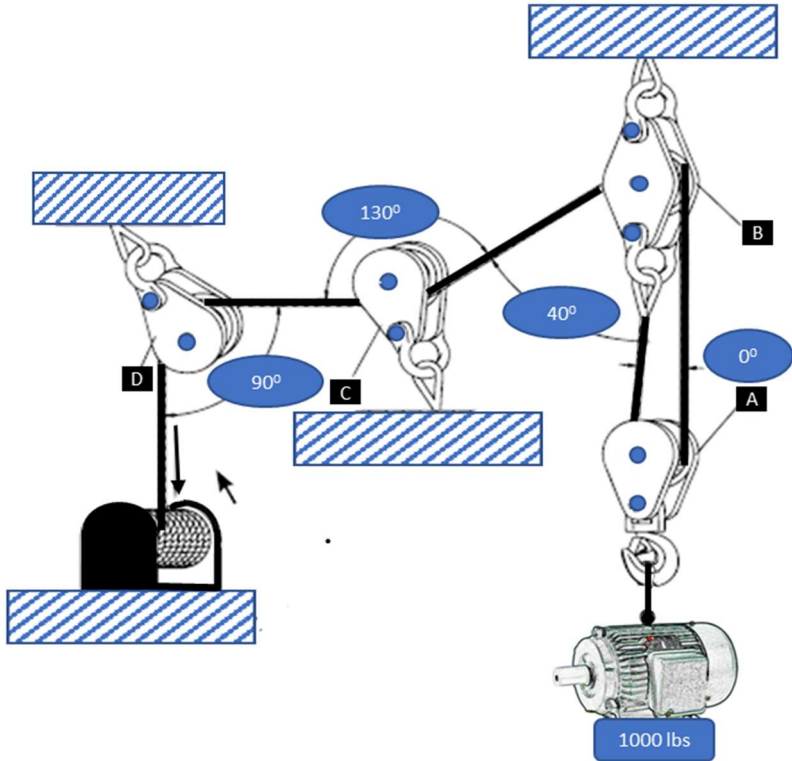
LIGNE DE TRACTION= POIDS À SOULEVER / AVANTAGE MÉCANIQUE

**Seule la ligne supportant la charge est inclus. N 'incluez jamais la ligne de traction représentée par un "0" ci-dessus.**

**Une personne qualifiée doit déterminer les points d'ancrage ou de levage correspondants. Consultez un manuel de montage pour plus de renseignements.**



**Une personne qualifiée doit déterminer les points d'ancrage ou de levage correspondants.**  
**Consultez un manuel de montage pour plus de renseignements.**



Déterminer la force de traction (force nécessaire pour soulever la charge)

$$1000 \text{ lbs} / 2 = 500 \text{ lbs}$$

Déterminer la charge sur la poulie "A"

Traction de ligne X (facteur de 0 degrés, voir le tableau des facteurs d'angle)

$$500 \text{ lbs} \times 2 = 1,000 \text{ lbs}$$

Déterminer la charge sur la poulie "B"

(ligne de traction X facteur d'angle) + charge du poids mort

$$500 \text{ lbs.} \times 1.87 + 500 \text{ lbs} = 1435 \text{ lbs}$$

Déterminer la charge sur la poulie "C"

Traction de ligne X facteur de 130 degrés, voir le tableau des facteurs

$$500 \text{ lbs} \times .84 = 420 \text{ lbs}$$

Déterminer la charge sur la poulie "D"

Traction de ligne X facteur de 90 degrés, voir le tableau facteurs d'angle

$$500 \text{ lbs} \times 1.41 = 705 \text{ lbs}$$

## Lubrification

L' utilisation d'un lubrifiant pour un filetage ou d'un composé anti grippant est recommandée pour les composants filetés. Utilisez de la graisse NLG # 2 pour le raccord Zerk. Sauf indication contraire, retirez l'ancien lubrifiant, nettoyez la pièce avec un solvant sans acide et appliquez une nouvelle couche de lubrifiant sur la pièce.

## Spécifications

	Capacité	Charge Maximale de traction	Diamètre de la Poulie	Corde métallique	Résistance	Testé
Model	KG	Lbs.	(inches)	Día inch	Kg.	Lbs.
SB3-2T	2000	4400	3	5/16-3/8	3000	6600
SB4.5-4T	4000	8800	4.5	3/8-1/2	6000	13200
SB6-8T	8000	17600	6	5/8-3/4	12000	26400
SB8-8T	8000	17600	8	5/8-3/4	12000	26400

Utilisez le tableau ci-dessus modèle de Poulie avec fixation supérieure à manille. La fixation de la manille aura les trois premières lettres du numéro de modèle comme SBS.

### Gammes de températures de fonctionnement

La poulie peut être utilisé entre une gamme de températures comprises entre -40 degrés (FouC) et 100 degrés C 212 degrés F.

Problèmes typiques causés par une mauvaise utilisation qui ne sont pas couverts par la garantie:

- Crochets ou pièces pliés, étirés ou cassés en raison d'une traction latérale ou d'une surcharge
- Le ressort du linguet de sécurité est manquant dans le crochet
- Parties manquantes
- Corrosion
- Manque d'entretien (mauvais stockage ou lubrification)
- Exposition à des conditions anormales
- Tout type de dommages encouru par la chaleur
- Composants usés ou déformés ou usure due a une utilisation normale

Les spécifications et dimensions indiquées sur le site web de l' AMH ou dans le documents imprimés sont fournies à titre d'information générale et ne sont pas obligatoires. AMH se réserve le droit de modifier l'appareillage, les pièces, les raccords ou les accessoires sans préavis pour quelque raison que ce soit. Ce manuel et d'autres informations sur le produit sont disponibles auprès de :

[www.allmaterialhandling.com](http://www.allmaterialhandling.com)

## Pièces de Rechange

Pièce #	Modèle	Description
CLKSB3	SB3-2T	Kit de crochet à loquet
CLKSB4.5	SB4.5-4T	Kit de de crochet à loquet
CLKSB6-SB8	SB6-8T & SB8-8T	Kit de crochet à loquet

### **GARANTIE À VIE LIMITÉE**

Nous nous efforçons de garantir que nos produits répondent à des normes de qualité et de durabilité élevées, et nous garantissons au consommateur utilise ce produit pour la première fois que chacun est exempt de défauts de matériaux et de fabrication comme suit:

Cette garantie ne s'applique pas aux défauts causés directement ou indirectement à une mauvaise utilisation, une négligence ou des accidents, des réparations ou des modifications en dehors de nos installations ou à un manque d'entretien. La garantie commence à la date d'achat auprès d'un revendeur agréé AMH par l'utilisateur d'origine. Veuillez conserver votre ticket de caisse daté comme preuve d'achat pour valider la garantie. Sauf indication contraire par la présente, toutes les garanties implicites ou de qualité marchande et correspondantes sont exclues. AMH ne sera en aucun cas responsable du décès, des blessures aux personnes ou des biens ou des dommages accessoires, contingents, spéciaux ou consécutifs résultant de l'utilisation de nos produits. Certains États n'autorisent pas les exclusions ou la limitation des dommages accessoires ou consécutifs ; par conséquent, les limitations ou exclusions ci-dessus peuvent ne pas s'appliquer à vous. Pour bénéficier de cette garantie, le produit doit être retourné pour examen, frais de port prépayée, à un centre de service agréé. Une preuve de la date d'achat et une explication de la plainte doivent accompagner le produit. Aucun retour ne sera accepté sans autorisation préalable obtenue par l'intermédiaire d'un revendeur AMH. Si notre inspection révèle un défaut de fabrication, nous réparerons ou remplacerons le produit ou rembourserons le prix d'achat, si nous ne pouvons pas fournir rapidement une réparation ou un remplacement, si vous êtes prêt à accepter un tel remboursement. Nous retournerons les produits réparés ou le remplacement à nos frais, mais si nous constatons qu'il n'y a pas de défaut, ou que le défaut résulte de causes non couvertes par cette garantie, l'utilisateur doit alors prendre en charge les frais de retour du produit. Cette garantie vous donne des droits légaux spécifiques, et vous pouvez également avoir d'autres droits qui varient d'un état à l'autre.