



PTL & GTL Trolley

Army Style Low Headroom Trolley

½ to 10 Metric ton Capacity



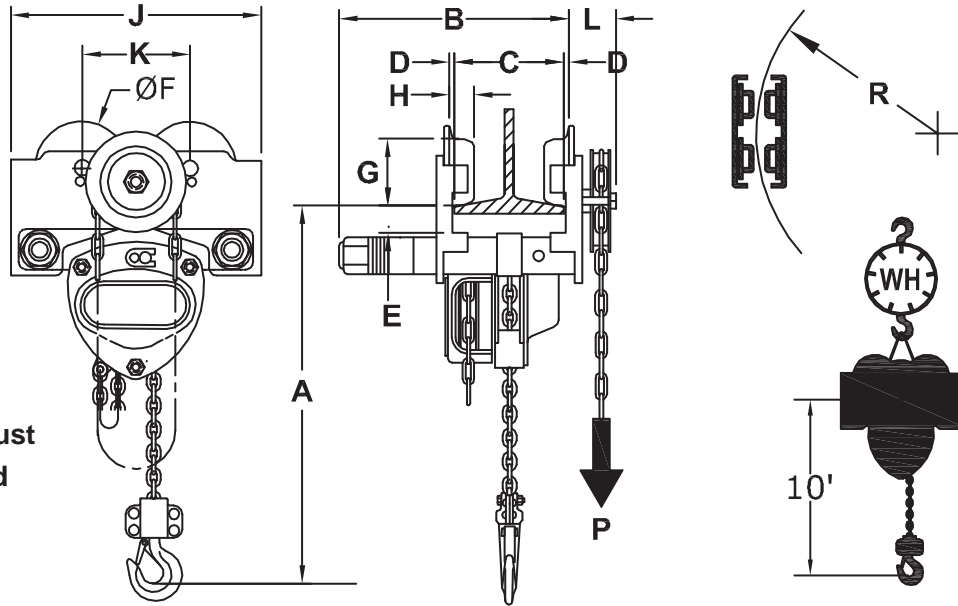
FEATURES

- ▶ Low headroom design increases lift height in low ceiling areas.
- ▶ Direct mount to any standard MA model AMH hoist by replacing the top hook assembly with the low headroom trolley assembly.
- ▶ Durable all steel construction.
- ▶ Machined cast iron wheels with precision sealed “lubed for life” bearings and universal tread design to fit flat or tapered beam flanges.
- ▶ Standard hand chain drop is 20 feet.
- ▶ Meets: ASME/ANSI B30.16, OSHA, NASA-STD-8719.9.
- ▶ ATEX rated Ex II 3 GD c IIB 54°C X for limited use in hazardous environments.
- ▶ **Options:** Extended hand chain drop.



Before using these products; read and follow instructions in the operator's manual. Never exceed capacity. Do not use for lifting people or loads over people.

Hoist and Trolley Kit must be purchased separately.

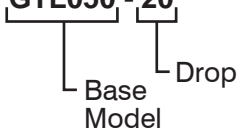


PTL & GTL SERIES SPECIFICATION AND DIMENSIONS (inches and pounds)

| Model | WLL | A | B | C | D | E | F | G | H | J | K | L | P (lbs) | R Min | Includes Hoist W(lbs) |
|-----------|------|------|------|----------|-----------|-----|-----|-----|-----|------|-----|-----|---------|-------|-----------------------|
| PTL005 | 1/2t | 11.6 | 9.8 | 2.0-8.0 | 0.06-0.12 | 1.2 | 3.1 | 2.2 | 0.7 | 10.2 | 3.9 | 3.0 | ---- | 31 | 46 |
| GTL005-20 | | | | | | | | | | | | | 6 | | 57 |
| PTL010 | 1t | 13.0 | 14.0 | 2.5-12.0 | 0.06-0.12 | 1.5 | 3.8 | 2.7 | 0.8 | 11.5 | 5.0 | 3.1 | ---- | 35 | 51 |
| GTL010-20 | | | | | | | | | | | | | 11 | | 62 |
| PTL020 | 2t | 16.1 | 14.3 | 3.5-12.0 | 0.06-0.12 | 1.5 | 4.3 | 3.1 | 0.9 | 14.2 | 5.4 | 3.3 | ---- | 39 | 86 |
| GTL020-20 | | | | | | | | | | | | | 20 | | 97 |
| PTL030 | 3t | 19.0 | 14.7 | 3.9-12.0 | 0.06-0.12 | 1.7 | 5.2 | 3.9 | 1.1 | 16.9 | 6.2 | 3.4 | ---- | 47 | 158 |
| GTL030-20 | | | | | | | | | | | | | 21 | | 169 |
| PTL050 | 5t | 25.2 | 15.0 | 4.5-12.0 | 0.06-0.12 | 1.6 | 5.7 | 4.3 | 1.4 | 17.6 | 6.8 | 3.7 | ---- | 51 | 222 |
| GTL050-20 | | | | | | | | | | | | | 31 | | 233 |
| PTL075 | 7.5t | 26.9 | 15.6 | 4.9-12.0 | 0.08-0.14 | 1.8 | 7.0 | 5.4 | 1.6 | 25.2 | 7.9 | 4.3 | ---- | 79 | 324 |
| GTL075-20 | | | | | | | | | | | | | 42 | | 335 |
| PTL100 | 10t | 30.8 | 15.6 | 4.9-12.0 | 0.08-0.14 | 1.8 | 7.0 | 5.4 | 1.6 | 25.2 | 7.9 | 4.3 | ---- | 79 | 342 |
| GTL100-20 | | | | | | | | | | | | | 54 | | 353 |

How to Order, by descriptive model number

Example: Model **GTL050 - 20**



If assembly to a hoist is required then note on the order.