



# LA Series Hoist

# Lever Chain Hoist

3/4 to 10 US Ton Capacity

3/4 to 9 Metric ton Capacity

## FEATURES

- ▶ Dual rated with more choices of capacity.
- ▶ Hook blocks are bolted, allowing easy disassembly for complete hook inspection.
- ▶ Lightweight and durable all steel construction with powder coated finish and plated external components to resist corrosion.
- ▶ Premium USA Made Grade 80 Zinc plated alloy load chain.
- ▶ Self adjusting double pawl disc type mechanical load brake ensures positive load control.
- ▶ Horseshoe chain guard allows operation in any orientation.
- ▶ Optional Overload Protection is a one directional clutch that will only slip in the lift direction.
- ▶ Meets: ASME/ANSI B30.21, OSHA, NASA-STD-8719.9
- ▶ ATEX rated  $\text{Ex}$  II 3 GD c IIB 54° C X for limited use in hazardous environments
- ▶ Long-life fused brake friction disc will not crack, shatter, or absorb moisture

US Ton	Metric Ton
3/4T	0.8t
1T	1.0t
1 3/4T	1.6t
2 1/4T	2.0t
2 3/4T	2.5t
3 1/2T	3.2t
7T	6.3t
10T	9.0t



Horseshoe Shape Chain Guide



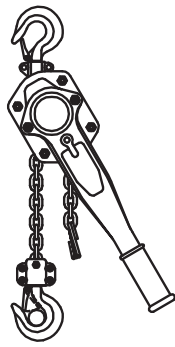
Oversized laser etched stainless steel nameplate with required ASME/OSHA WARNINGS



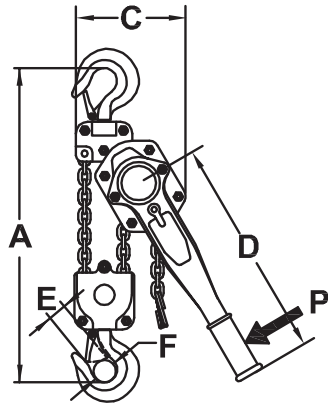
Before using these products; read and follow instructions in the operator's manual. Never exceed capacity. Do not use for lifting people or loads over people.

Final assembly and re-testing in the USA

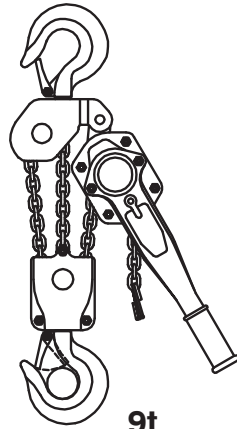




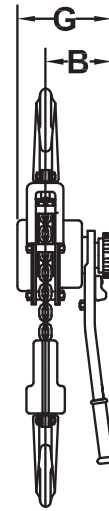
**3/4-3.2t**  
(1 Part)



**6.3t**  
(2 Part)



**9t**  
(3 Part)



### Working Load Limit (WLL)

### Specifications (inches and pounds)

Base Model	US Ton	Metric Ton	*Min. Load		Chain	Parts	A"	B"	C"	D"	E"	F"	G"	Effort P (Lbs)	W (Lbs) / ft Lift	W (1) (Lbs) 5 ft Lift
			Lbs	Kg												
LA008	¾+	0.8	44	20	C6X18Z	1	13.4	3.9	5.2	10.5	1.02	0.98	6.2	47	0.54	14.9
LA010	1+	1	44	20	C6X18Z	1	13.4	3.9	5.2	12.1	1.02	0.98	6.2	51	0.54	15.3
LA016	1 ¾	1.6	70	32	C7X21Z	1	15.7	4.4	5.7	14	1.14	1.18	7.2	66	0.74	24.1
LA020	2 ¼	2	88	40	C8X24Z	1	18.1	4.6	7.6	14	1.38	1.3	8.1	66	0.92	36.2
LA025	2 ¾	2.5	110	50	C9X27Z	1	19.1	4.6	7.6	14	1.38	1.3	8.1	74	1.25	37.9
LA032	3 ½	3.2	141	64	C10X28Z	1	20.5	4.8	7.8	16.5	1.46	1.42	8.3	72	1.50	44.8
LA063	7	6.3	278	126	C10X28Z	2	25.2	4.8	9.1	16.5	1.69	1.69	8.3	74	3.00	66.3
LA090	10	9	396	180	C10X28Z	3	28.7	4.8	13.3	16.5	1.85	1.73	8.3	76	4.50	110.6

(1) Shipping weight can be estimated by adding approx. 15% to "W" hanging weight.

Fits into Standard Hook Block

\* **Minimum Load** = Load required to activate the automatic load brake. The brake will stop a load even if the operator leaves the unit in free chain mode or in neutral. This is a similar reaction to a seatbelt.

**Standard Lift** = 5, 10, 15, and 20 ft. Custom lifts are available.

**Option:** V = Overload Protection, one-way operation that will lower any load.

L = Self-Locking Hook Option

S = Shipyard Hooks. Available for 1.6t & 3.2t only.

Custom lifts



S option

L option

### How to Order, by descriptive model number

Example: Model **MA050 - 20 - 18U VL**

MA050 - Base Model  
 20 - Lift  
 18U - Drop  
 VL - Option



Before using these products; read and follow instructions in the operator's manual. Never exceed capacity. Do not use for lifting people or loads over people.