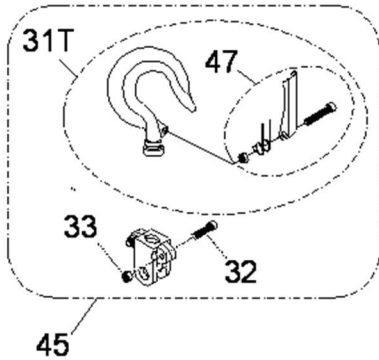
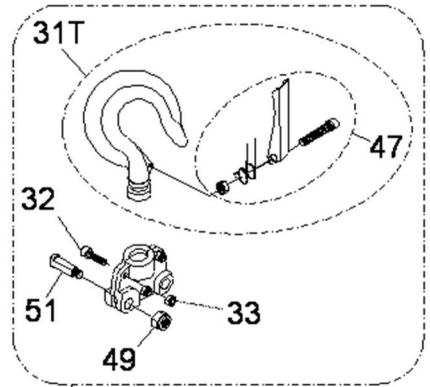


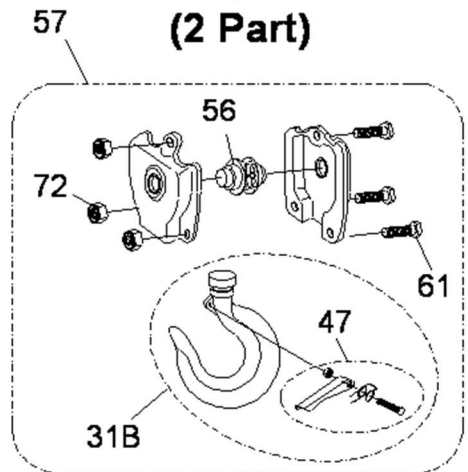
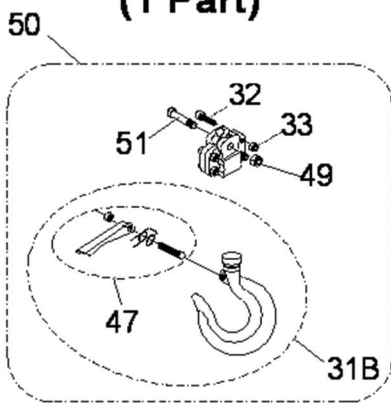
Cast Latch Kit for hoist with
Serial # \geq 08CXXXX-09

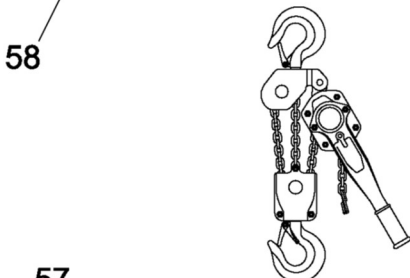
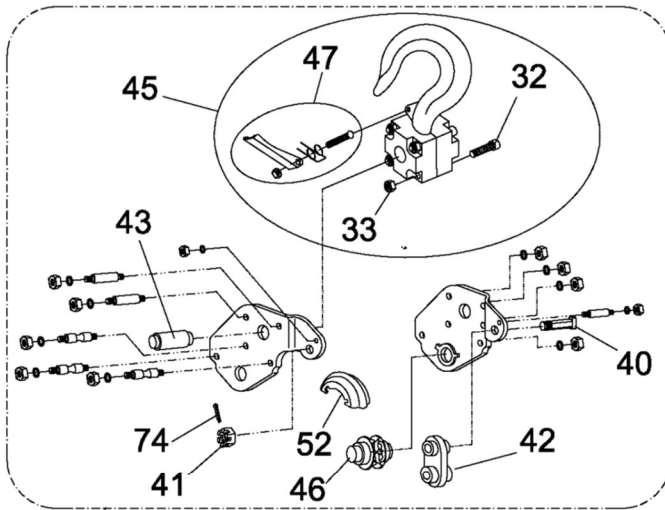


(1 Part)

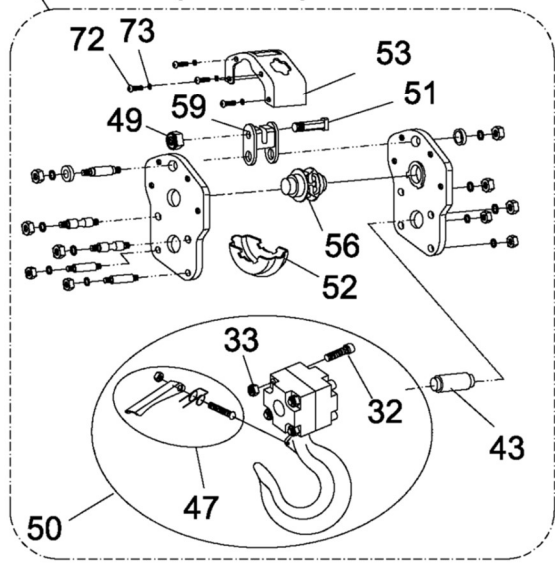


(2 Part)





57
(3 Part)



| # | LA008 (1 Part) | LA010 (1 Part) | LA016 (1 Part) | LA020 (1 Part) | LA025 (1 Part) |
|-------|--------------------------------------|-------------------|-------------------|---------------------|-------------------|
| 1 | P-LA010-1 | | P-LA016-1 | P-LA025-1 | |
| 2 | P-LA010-2 | | P-L015-2 | P-LA025-2 | |
| 3 | P-LA010-3 | | P-LA016-3 | P-LA025-3 | |
| 4 | P-LA010-4 | | P-L015-4 | P-LA025-4 | |
| 5 | P-LA010-5 | | P-L015-5 | P-LA020-5 | P-LA025-5 |
| *6 | P-L008-6 | | P-L015-6 | P-LA025-6 | |
| 7 | P-L008-7 | | P-L015-7 | P-LA020-7 | P-LA025-7 |
| 8 | P-L008-8 | | P-L015-8 | P-LA020-8 | P-LA025-8 |
| 10 | P-L008-10 | | P-L015-10 | P-LA025-10 | |
| 12 | P-L008-12 | | P-L015-12 | P-LA020-12 | P-LA025-12 |
| *13 | P-L008-13 | | P-L015-13 | | |
| 14 | P-L008-14 | | P-L015-14 | | |
| 15 | S# 06Cxxxx-19 and after P-L008-15A | | P-L015-15A | P-LA025-15A | |
| 15 | Before Serial # 06Cxxxx-19 P-L008-15 | | P-L015-15 | P-LA025-15 | |
| 16 | P-L015-16 | | | P-L030-16 | |
| 18 | P-L008-17/18 | | P-L015-17/18 | P-L030-17/18 | |
| 19 | P-LA008-19 | | P-LA016-19 | P-LA025-19 | |
| 20A | P-LA010-20A | | P-LA016-20A | P-LA032-20A | |
| 20B | P-LA008-20B | P-LA010-20B | P-LA016-20B | P-LA020-20B | P-LA025-20B |
| *25 | P-LA008-25-10.5 | P-LA008-25 | P-LA016-25-14 | P-LA025-25-14 | |
| 27 | P-NPL-LA008A | P-NPL-LA010A | P-NPL-LA016A | P-NPL-LA020A | P-NPL-LA025A |
| 28 | P-LA008-28 | | P-LA016-28 | | |
| 29A | P-NPL-LA008-29A | | P-NPL-LA016-29A | P-NPL-LA032-29A | |
| 29B | P-NPL-LA008-29B | | P-NPL-LA016-29B | P-NPL-LA032-29B | |
| *30 | P-62MM RING INT | | P-70MM RING INT | P-74MM RING INT | |
| *31T | P-LA008-31-47C | | P-LA010-31-47C | P-LA016-31-47C | P-LA020-31-47C |
| *31B | P-LA008-31-47C | | P-LA010-31-47C | P-LA016-31-47C | P-LA020-31-47C |
| 32 | P-M5X18 CSKHD | | P-M6X25 CSKHD | P-M8X25 CSKHD | |
| 33 | P-M5 NUT LOCK | | P-M6 NUT LOCK | P-M8 NUT LOCK | |
| *44 | P-LA008-44 | | P-LA016-44 | P-LA020-44 | |
| *45 | P-LA008-45C | P-LA010-45C | P-LA016-45C | P-LA020-45C | P-LA025-45C |
| *47 | P-LA008-47 | P-LA010-47 | P-LA016-47 | P-LA020-47 | P-LA025-47 |
| *47 C | P-LA008-47C | P-LA010-47C | P-LA016-47C | P-LA020-47C | P-LA025-47C |
| 48 | P-L008-48 | | P-L015-48 | P-LA025-48 | |
| 49 | P-M8 NUT LOCK | | | P-M12 NUT LOCK | |
| *50 | P-LA008-50C | P-LA010-50C | P-LA016-50C | P-LA020-50C | P-LA025-50C |
| 51 | P-L008-51A | | P-LA016-51A | P-L020-51A | P-LA025-51 |
| 54 | P-L008-54 | | P-L015-54 | | |
| 55 | C6X18Z | | C7X21Z | C8X24Z | C9X27Z |
| 60 | P-M8 NUT LOCK | | P-M10 NUT LOCK | P-M12 NUT LOCK | |
| 62 | P-26MM RING EXT | | P-30MM RING EXT | P-38MM RING EXT | |
| *63 | P-8MM RING EXT | | P-9MM RING EXT | | |
| 64 | P-M6X10 HEXHD | | P-M8X14 HEXHD | | |
| 65 | P-M6 WASHER LOCK | | P-M8 WASHER LOCK | | |
| 67 | P-M2.5X6 SCREW DRIVE | | | | |
| 70 | P-M10 NUT CASTLE-10 | | | P-M12 NUT CASTLE-12 | |
| 71 | P-M2.5X25 COTTER | | | | |

* Recommended, Recomendé, Recomendado

| # | LA032 (1 Part) | LA063 (2 Part) | LA090 (3 Part) |
|------|-----------------------------|-------------------|-------------------|
| 1 | | P-LA032-1 | |
| 2 | | P-L030-2 | |
| 3 | | P-LA030-3 | |
| 4 | | P-L030-4 | |
| 5 | | P-LA032-5 | |
| *6 | | P-L030-6 | |
| 7 | | P-LA032-7 | |
| 8 | | P-LA032-8 | |
| 10 | | P-L030-10 | |
| 12 | | P-LA032-12 | |
| *13 | | P-L015-13 | |
| 14 | | P-L015-14 | |
| 15 | S#, 06Cxxxx-19 and after | P-L030-15A | |
| 15 | Before Serial #, 06Cxxxx-19 | P-L030-15 | |
| 16 | | P-L030-16 | |
| 18 | | P-L030-17/18 | |
| 19 | | P-LA032-19 | |
| 20A | | P-LA032-20A | |
| 20B | | P-LA032-20B | |
| *25 | | P-LA032-25 | |
| 27 | P-NPL-LA032A | P-NPL-LA063A | P-NPL-LA090A |
| 28 | | P-LA032-28 | |
| 29A | | P-NPL-LA032-29A | |
| 29B | | P-NPL-LA032-29B | |
| *30 | | P-74MM RING INT | |
| *31T | P-LA032-31-47C | P-LA063-31T-47C | |
| *31B | | P-LA063-31B-47C | |
| 32 | P-M8X25 CSKHD | | P-M8X45 CSKHD |
| 33 | P-M8 NUT LOCK | | |
| 40 | | | P-L090-40 |
| 41 | | | P-M16 NUT CASTLE |
| 42 | | | P-L090-42 |
| 43 | | | P-L090-43 |
| *44 | P-LA020-44 | | |
| *45 | P-LA032-45C | P-LA063-45C | P-LA090-45 |
| 46 | | | P-LA090-46 |
| *47 | P-LA032-47 | P-LA063-47 | P-LA090-47 |
| *47C | P-LA032-47C | P-LA063-47C | |
| 48 | P-LA032-48 | | |
| 49 | P-M12 NUT LOCK | | |
| *50 | P-LA032-50C | | P-LA090-50 |
| 51 | P-L030-51 | P-L060-51 | P-L090-51 |
| 52 | | | P-L090-52 |
| 53 | | | P-L090-53 |
| 54 | P-L015-54 | | |
| 55 | C10X28Z | | |
| 56 | | | P-LA090-56 |
| 57 | | | P-LA090-57 |
| 58 | | | P-LA090-58 |

* Recommended, Recomendé, Recomendado

| # | LA032 (1 Part) | LA063 (2 Part) | LA090 (3 Part) |
|-----|-------------------|----------------------|-------------------|
| 59 | | | P-L090-59 |
| 60 | | P-M12 NUT LOCK | |
| 61 | | P-M10X25 HEXHD | |
| 62 | | P-42MM RING EXT | |
| *63 | | P-9MM RING EXT | |
| 64 | | P-M8X14 HEXHD | |
| 65 | | P-M8 WASHER LOCK | |
| 67 | | P-M2.5X6 SCREW DRIVE | |
| 70 | | P-M12 NUT CASTLE-12 | |
| 71 | | P-M2.5X25 COTTER | |
| 72 | | P-M10 NUT LOCK | P-M5X10 RNDHD |
| 73 | | | P-M5 WASHER LOCK |
| 74 | | | P-M4X28 COTTER |

* Recommended, Recomendé, Recomendado