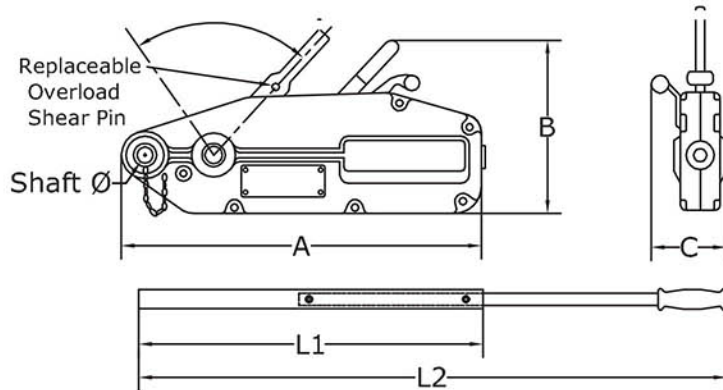




### FEATURES

- ▶ Portable lightweight aluminum construction is durable and resists corrosion.
- ▶ ANY length of commercially available 6x19S IWRC wire rope can be used for unlimited reach. (contact us for further details)
- ▶ Smooth operation with precise control.
- ▶ Telescoping handle allows the operator to optimize pull and stroke.
- ▶ Long service life and low maintenance requiring only periodic cleaning, lubrication and inspection.
- ▶ Overload protection is provided by a shear pin that is easily replaced. 4 extra shear pins are supplied in the lever grip or carrying handle compartments.
- ▶ Meets ASME/ANSI B30.21, OSHA and NASA-STD-8719.9 for manually lifting with a 4:1 SF
- ▶ ATEX rated  $\text{Ex}$  II 3 GD c IIB 54° C X for limited use in hazardous environments.
- ▶ 66 ft. wire rope may be ordered separately.



### 6X19S Wire Rope Assembly

(Must be ordered separately)

| Part #   | Size  | Weight | Length |
|----------|-------|--------|--------|
| WD05RA66 | 5/16" | 15 Lbs | 66 Ft  |
| WD07RA66 | 7/16" | 28 Lbs | 66 Ft  |
| WD10RA66 | 5/8"  | 41 Lbs | 66 Ft  |

| Walk-e-Dog Model | Wire Rope | ANSI/ASME B30.21 OSHA & NASA |    | Weight Lbs. | A     | B     | C    | Shaft Ø | L1    | L2    | Advance /Stroke | Hand Pull @WLL |
|------------------|-----------|------------------------------|----|-------------|-------|-------|------|---------|-------|-------|-----------------|----------------|
|                  |           | WLL @ 4:1                    | SF |             |       |       |      |         |       |       |                 |                |
| WD05             | 5/16"     | 2000 lbs                     | 1T | 13.2        | 17.4" | 9.6"  | 2.6" | 0.88"   | ----  | 32.7" | 2.1"            | 76 lbs         |
| WD07             | 7/16"     | 4000 lbs                     | 2T | 24.2        | 22.2" | 11.4" | 4.0" | 1.00"   | 32.7" | 49.0" | 2.3"            | 88 lbs         |
| WD10             | 5/8"      | 8000 lbs                     | 4T | 48.4        | 26.9" | 13.3" | 4.7" | 1.20"   | 32.7" | 49.0" | 1.1"            | 97 lbs         |



Before using these products; read and follow instructions in the operator's manual. Never exceed capacity. Do not use for lifting people or loads over people.