

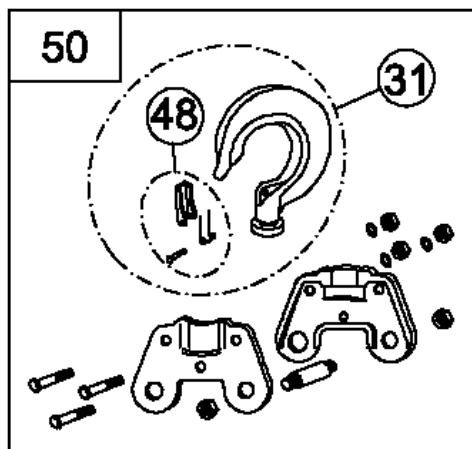
LB & LC008	¾t
LB & LC010	1t
LB & LC015	1½t
LB & LC020	2t
LB & LC030	3t
LB & LC060	6t
LB & LC090	9t



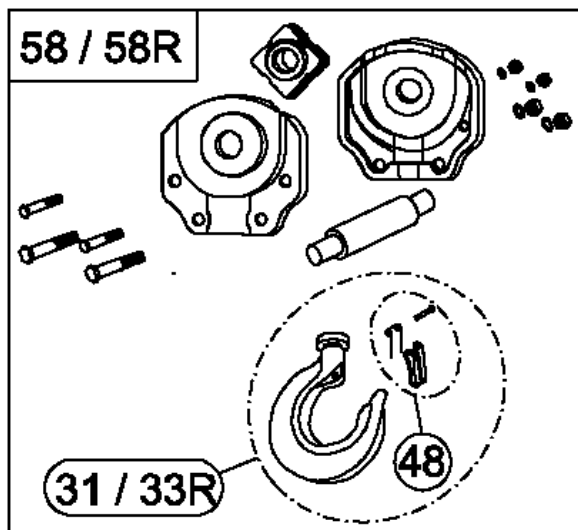
#	(3/4t)	(1t)	(1 1/2t)	(2t)	(3t)	(6t)	(9t)
1-LB	P-LB008-1		P-LB015-1		P-LB030-1		
1-LC	P-LC008-1		P-LC015-1		P-LC030-1		
2	P-LB008-2		P-LB015-2		P-LB030-2		
3	P-LB008-3		P-LB015-3		P-LB030-3		
4	P-LB008-4		P-LB015-4		P-LB030-4		
5-LB	P-LB008-5		P-LB015-5		P-LB030-5		
5-LC	P-LC008-5		P-LC015-5		P-LC030-5		
6	P-LB008-6		P-LB015-6		P-LB030-6		
7	P-LB008-7		P-LB015-7		P-LB030-7		
*8	P-CB005-9		P-CB015-9		P-CB050-9		
10	P-CB005-6		P-CB015-6		P-CB050-6		
11-LB	P-LB008-11		P-LB015-11		P-LB030-11		
11-LC	P-LC008-11		P-LC015-11		P-LC030-11		
12	P-LB008-12		P-LB015-12		P-LB008-12		
*13	P-CB005-25K		P-CB015-25K				
15	P-CB010-12		P-CB015-12		P-CB050-12		
*17	P-CB010-28		P-CB015-28		P-CB050-28		
18	P-CB010-27		P-CB015-27		P-CB050-27		
20A-LB	P-LB008-20A		P-LB015-20A		P-LB030-20A		
20A-LC	P-LC008-20A		P-LC015-20A		P-LC030-20A		
20V-LB	P-LB008-20V	P-LB010-20V	P-LB015-20V		P-LB030-20V		
20V-LC	P-LC008-20V	P-LC010-20V	P-LC015-20V	P-LC020-20V	P-LC030-20V		
22-LB	P-LB008-22		P-LB015-22				
22-LC	P-LC008-22		P-LC015-22				
26	P-LB008-26						
27	P-LB008-27		P-LB015-27		P-LB030-27		
28	Black C6X18B or Zinc C6X18Z		Black C8X24B or Zinc C8X24Z		Black C10X30B or Zinc C10X30Z		
29	P-LB008-29		P-LB015-29		P-LB030-29		
30-LB	P-NPL-LB008	P-NPL-LB010	P-NPL-LB015		P-NPL-LB030	P-NPL-LB060	P-NPL-LB090
30-LC	P-NPL-LD008	P-NPL-LD010	P-NPL-LD015	P-NPL-LD020	P-NPL-LD030	P-NPL-LD060	P-NPL-LD090
*31	P-LB008-31	P-CB010-23	P-CB015-23	P-CB020-23	P-LB030-31	P-LB060-31	P-LB090-31
32	P-CB005-13		P-CB015-13		P-LB030-32		
*33	P-LB008-33	P-CB010-34	P-CB015-34	P-CB020-34	P-LB030-33		
*33R	P-LB008-33R	P-CB010-34R	P-CB015-34R	P-CB020-34R	P-LB030-33R	P-LB060-33R	P-LB090-33R
34	P-CB010-4		P-CB020-4		P-LB030-34		
35	P-M8 NUT LOCK		P-M10 NUT LOCK		P-M12 NUT LOCK		
37(NS)	(NS) M6 NUT HEX		(NS) M8 NUT HEX				
38(NS)	(NS) M6 WASHER LOCK		(NS) M8 WASHER LOCK				
39(NS)	(NS) M6X10 HEXHD		(NS) M8X15 HEXHD				
40	P-M10 NUT CASTLE-9						
41(NS)	(NS) M25X25 COTTER						
42	P-M6 NUT LOCK		P-M8 NUT LOCK		P-M10 NUT LOCK		
44(NS)	(NS) M5X10 RNDHD						
45 (NS)	(NS) M5 WASHER LOCK						
46	P-M2.5X6 SCREW DRIVE						
47	P-28MM RING EXT		P-34MM RING EXT		P-45 MM RING EXT		
*48	P-CB005-8	P-CB010-8	P-CB015-8	P-CB020-8	P-CB030-50	P-LB060-48	P-LB090-48
50						P-LB060-50K	P-LB090-50K
58						P-LB060-58K	P-LB090-58K
58R						P-LB060-58RK	P-LB090-58RK

(NS) Not Sold, Standard Hardware Item

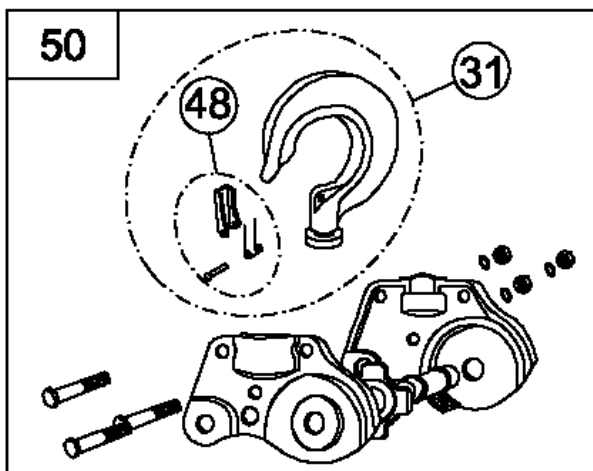
* Recomendado, Recomendé, Recomendado



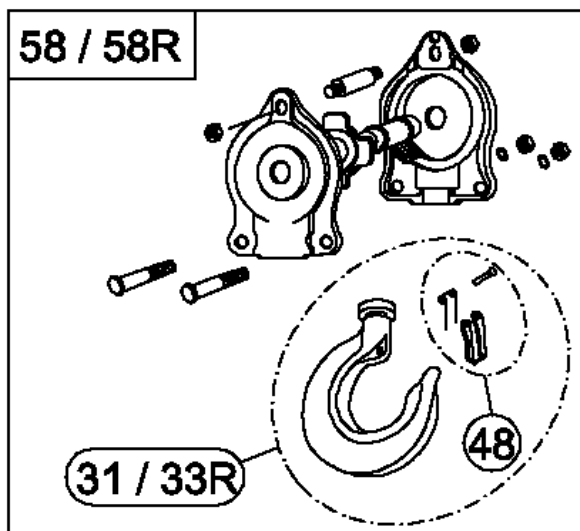
6t



- 31 = Standard Hook
- 33R = Roller Brg. Hook
- 58 = Standard Block Asy.
- 58R = Roller Brg Block Asy.



9t



- 31 = Standard Hook
- 33R = Roller Brg. Hook
- 58 = Standard Block Asy.
- 58R = Roller Brg Block Asy.

**LB, LC
& CB**



**Gear
Timing**

